

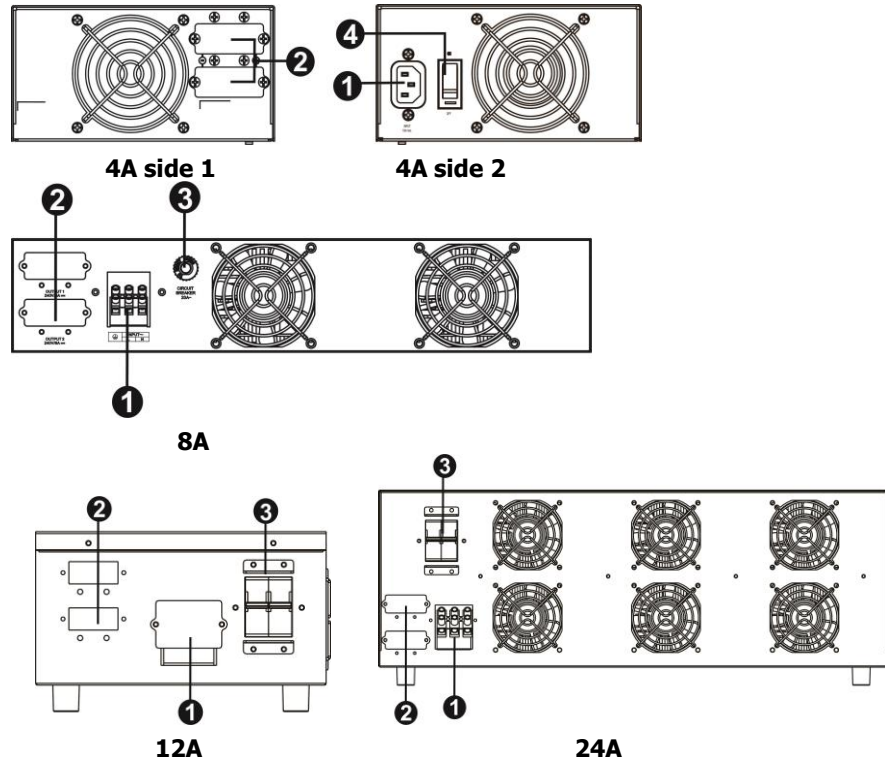
Charger LA-ON Series

1. Package Contents

You should have received the following items inside of package:

- Charger unit
- Quick Guide
- C1 connector cable

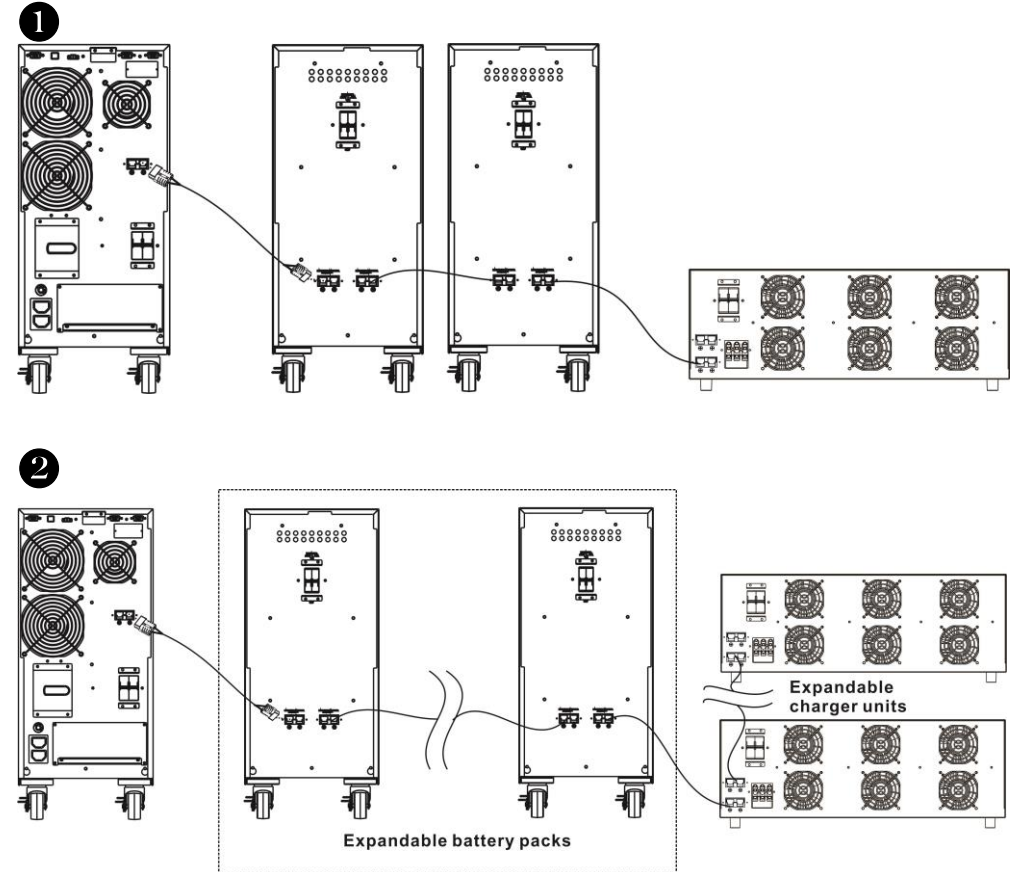
2. Product Overview



- ① AC Input
- ② DC connectors
- ③ Circuit breaker
- ④ Power switch

3. Charging Battery

Apply AC power to the charger unit. This charger can either work alone to charge battery pack or work with UPS to charge battery pack. Please follow below charts to install the charger for different applications.



4. Important Safety Warning (SAVE THESE INSTRUCTIONS)

CAUTION! The charger is designed to charge the specific voltage lead-acid battery. Please see the specifications for the acceptable voltage range. Do not use these products on batteries with other voltage ratings.

CAUTION! Some models may generate high current DC voltage to the battery being charged. Do not expose the charger to the water, rain, snow or spray.

CAUTION! Do not open the charger. There are no user-replaceable parts inside of the unit.

Attention! Ensure at least 20 cm air space is maintained on all sides of the charger. During operation, keep away from the materials that may be affected by high temperatures.

CAUTION! Never attempt to charge a frozen battery.

Attention hazardous through electric shock. To reduce the risk of electric shock, disconnect both AC and DC power from the charger before attempting any maintenance or cleaning or working on any circuits connected to the charger. Turning power switch off will not reduce the risk.

CAUTION! Do not dispose of batteries in a fire. The battery may explode. Do not open or mutilate the battery or batteries. Released electrolyte is harmful to the skin and eyes.

CAUTION! Unplug the UPS prior to cleaning and do not use liquid or spray detergent.

CAUTION! A battery can present a risk of electric shock and high short circuit current. The following precaution should be observed before replacing batteries:

- 1) Remove watches, rings, or other metal objects.
- 2) Use tools with insulated handles.
- 3) Wear rubber gloves and boots.
- 4) Do not lay tools or metal parts on top of batteries.
- 5) Disconnect charging source prior to connecting or disconnecting batteries terminal.

5. Specifications

MODEL	4A	8A	12A	24A
CAPACITY	900W	1700W	2600W	5200W
INPUT				
Voltage Range	110V~300VAC			
Max. Charging Current	10A	20A	30A	60A
Frequency	46~64 Hz			
OUTPUT				
Voltage	273V±1%			
Charge Voltage Accuracy	±1% (Adjustable via VR on the Charger board)			
Current	4A±10%	8A±10%	12A±10%	24A±10%
EFFICIENCY				
Power Efficiency	≥85%@full load			
PHYSICAL				
Dimension, D X W X H (mm)	298 x 175 x 106	357 x 220 x 136	515 x 220 x 136	570 x 250 x 215
Net Weight (kgs)	4.1	5.6	7.2	14
Environmental Performance				
Operating Temperature Range	0°C~40°C			
Storage Temperature	-15°C~60°C			
Relative Humidity	0-95%			
Acoustic Noise	<45dB			